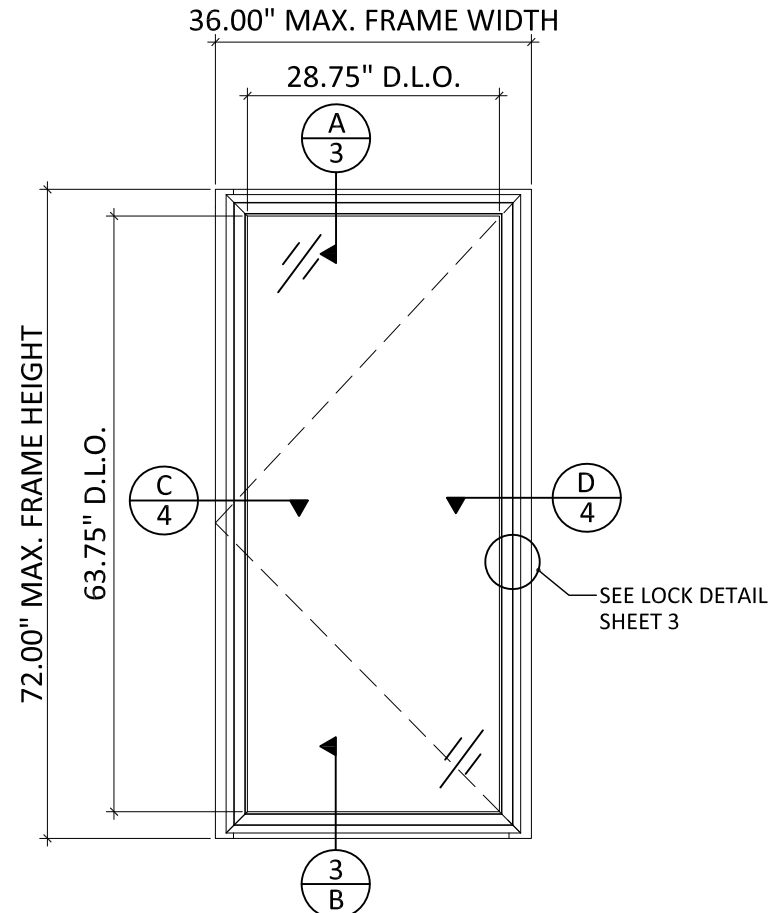


AIR MASTER WINDOWS AWNING, LLC

CONTINENTAL SERIES CASEMENT WINDOW (HVHZ) (IMPACT)

GENERAL NOTES:

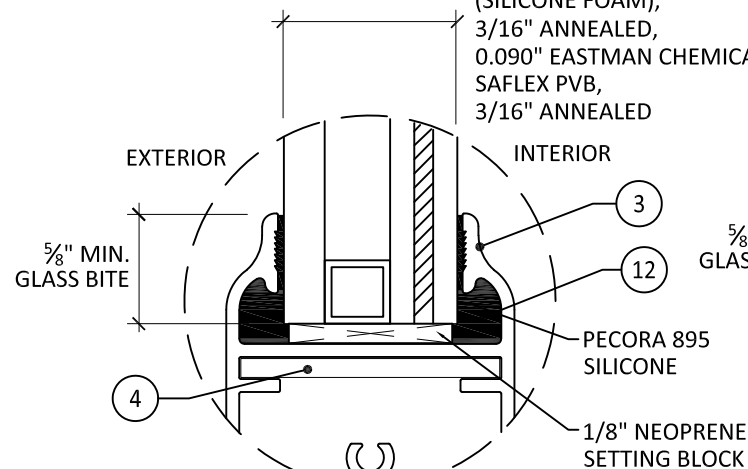
- THE PRODUCT SHOWN HEREIN IS DESIGNED AND MANUFACTURED TO COMPLY WITH THE CURRENT FLORIDA BUILDING CODE (FBC), INCLUDING HVHZ AND HAS BEEN EVALUATED ACCORDING TO THE FOLLOWING:
 - TAS 201-94
 - TAS 202-94
 - TAS 203-94
 - ASTM E330-14
 - ASTM E1886-13a
 - ASTM E1996-17
- ADEQUACY OF THE EXISTING STRUCTURAL CONCRETE/MASONRY, STEEL, AND 2X FRAMING AS A MAIN WIND FORCE RESISTING SYSTEM CAPABLE OF WITHSTANDING AND TRANSFERRING APPLIED PRODUCT LOADS TO THE FOUNDATION IS THE RESPONSIBILITY OF THE ENGINEER OR ARCHITECT OF RECORD FOR THE PROJECT OF INSTALLATION.
- 1X AND 2X BUCKS (WHEN USED) SHALL BE DESIGNED AND ANCHORED TO PROPERLY TRANSFER ALL LOADS TO THE STRUCTURE. BUCK DESIGN AND INSTALLATION IS THE RESPONSIBILITY OF THE ENGINEER OR ARCHITECT OF RECORD FOR THE PROJECT OF INSTALLATION.
- THE INSTALLATION DETAILS DESCRIBED HEREIN ARE GENERIC AND MAY NOT REFLECT ACTUAL CONDITIONS FOR A SPECIFIC SITE. IF SITE CONDITIONS CAUSE INSTALLATION TO DEVIATE FROM THE REQUIREMENTS DETAILED HEREIN, A LICENSED ENGINEER OR ARCHITECT SHALL PREPARE SITE SPECIFIC DOCUMENTS FOR USE WITH THIS DOCUMENT IN NON-HVHZ AREAS. IN HVHZ AREAS, ONE TIME PRODUCT APPROVAL TO BE OBTAINED FROM MIAMI-DADE RER.
- APPROVED IMPACT PROTECTIVE SYSTEM **IS NOT REQUIRED** ON THIS PRODUCT IN AREAS REQUIRING IMPACT RESISTANCE.
- WINDOW FRAME MATERIAL: ALUMINUM 6063-T5
- DISSIMILAR METALS INCLUDING FASTENERS THAT MAY COME INTO CONTACT WITH ALUMINUM UNIT FRAMING SHALL BE PROTECTED IN ACCORDANCE WITH THE FBC.
- GLASS MEETS THE REQUIREMENTS OF ASTM E 1300 GLASS CHARTS. SEE SHEET 1 FOR GLAZING DETAIL.



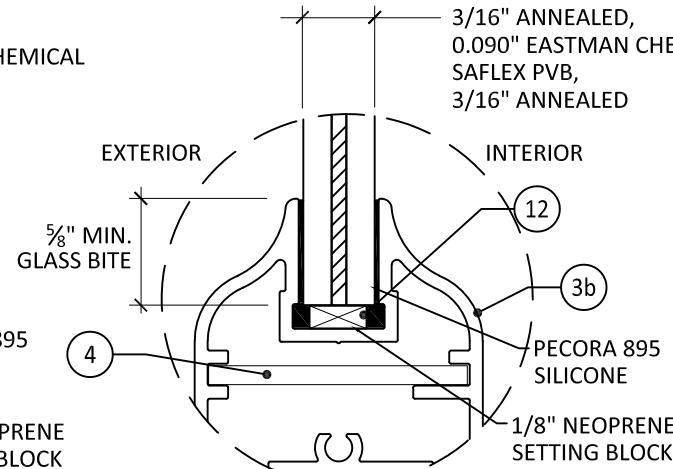
**CASEMENT WINDOW ELEVATION
EXTERIOR ELEVATION VIEW**

1 1/16" O.A. I.G. CONSISTING OF:
 1/4" ANNEALED,
 3/8" SUPER SPACER PREMIUM (SILICONE FOAM),
 3/16" ANNEALED,
 0.090" EASTMAN CHEMICAL SAFLEX PVB,
 3/16" ANNEALED

7/16" LAMINATED GLASS CONSISTING OF:
 3/16" ANNEALED,
 0.090" EASTMAN CHEMICAL SAFLEX PVB,
 3/16" ANNEALED



GLAZING DETAIL 1



GLAZING DETAIL 2

TABLE OF CONTENTS	
SHEET	SHEET DESCRIPTION
1	GENERAL NOTES, GLAZING DETAIL, AND ELEVATIONS
2	ANCHOR LOCATIONS AND INSTALLATION NOTES
3	VERTICAL SECTIONS
4	HORIZONTAL SECTIONS
5	COMPONENTS AND BILL OF MATERIALS

DESIGN PRESSURE RATING		
OVERALL SIZE	DESIGN PRESSURE	MISSILE IMPACT RATING
36" X 72"	+/- 70 PSF	LARGE MISSILE IMPACT

GLAZING NOTES:

- GLASS TYPE AND THICKNESS COMPLIES WITH ASTM E1300 REQUIREMENTS AS WELL AS APPLICABLE SAFETY GLAZING REQUIREMENTS PER THE FBC. THICKNESS, TEMPER, AND SAFETY GLAZING REQUIREMENTS SHALL BE REVIEWED ON A SITE SPECIFIC BASIS.
- SETTING BLOCK DUROMETER HARDNESS OF 70-90 (SHORE A) AS REFERENCED IN FBC CHAPTER 24.
- SETTING BLOCKS TO BE LOCATED AT 1/4 SPAN LENGTH FOR GLASS WIDER THAN 36" AS PER FBC CHAPTER 24.

PREPARED BY:

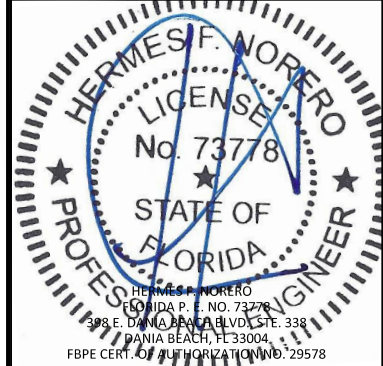


BUILDING DROPS, INC.
 398 E. DANIA BEACH BLVD., STE. 338
 DANIA BEACH, FL 33004
 PH: (954)399-8478
 FAX: (954)744.4738
 WEB: www.buildingdrops.com

TITLE: CONTINENTAL CASEMENT WINDOW (HVHZ) (IMPACT)
 ELEVATIONS, GENERAL NOTES AND GLAZING DETAIL
 AIR MASTER windows and doors
 P.O. BOX 2097
 BARCELONETA, PR 00617
 WWW.AIRMASTER.COM
 PH: (787)846-2110
 FAX: (787)623-0085

REMARKS	BY	DATE
A. 7TH FBC UPDATE	MS	11.05.20

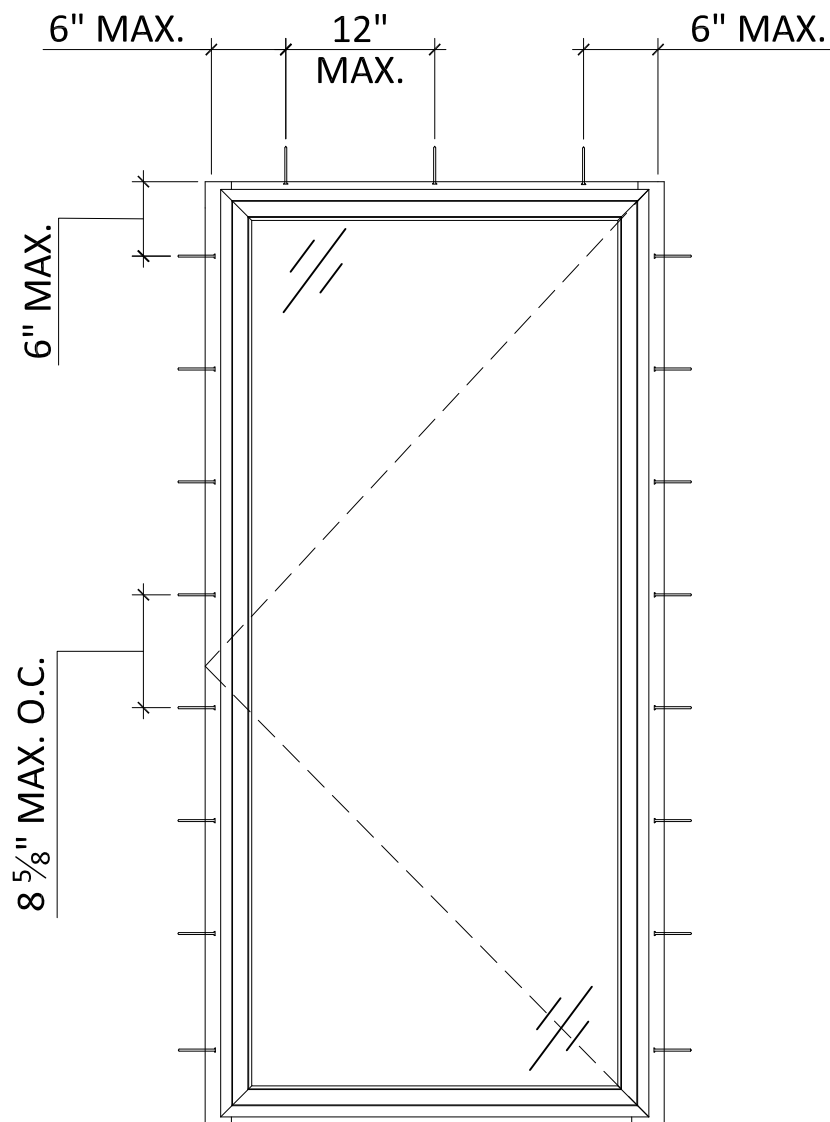
THE INSTALLATION DETAILS DESCRIBED HEREIN ARE GENERIC AND MAY NOT REFLECT ACTUAL CONDITIONS FOR A SPECIFIC SITE. IF SITE CONDITIONS CAUSE INSTALLATION TO DEVIATE FROM THE REQUIREMENTS DETAILED HEREIN, A LICENSED ENGINEER OR ARCHITECT SHALL PREPARE SITE SPECIFIC DOCUMENTS FOR USE WITH THIS DOCUMENT.



FL21455

DATE: 07/27/18	
DWG. BY: SM	CHK. BY: HN
SCALE: NTS	
DWG. #: AIR017	
SHEET: 1 OF 5	

1



CASEMENT WINDOW ANCHOR LAYOUT
EXTERIOR VIEW

INSTALLATION NOTES:

1. ONE (1) INSTALLATION ANCHOR FOR EACH ANCHOR LOCATION SHOWN.
2. THE NUMBER OF INSTALLATION ANCHORS DEPICTED IS THE MINIMUM NUMBER OF ANCHORS TO BE USED FOR PRODUCT INSTALLATION.
3. INSTALL INDIVIDUAL INSTALLATION ANCHORS WITHIN A TOLERANCE OF ±1/2 INCH OF THE DEPICTED LOCATION IN THE ANCHOR LAYOUT DETAIL (I.E., WITHOUT CONSIDERATION OF TOLERANCES). TOLERANCES ARE NOT CUMULATIVE FROM ONE INSTALLATION ANCHOR TO THE NEXT.
4. SHIM AS REQUIRED AT EACH INSTALLATION ANCHOR WITH LOAD BEARING SHIM(S). MAXIMUM ALLOWABLE SHIM STACK TO BE 1/4 INCH. SHIM WHERE SPACE OF 1/16 INCH OR GREATER OCCURS. SHIM(S) SHALL BE CONSTRUCTED OF HIGH DENSITY PLASTIC OR BETTER.
5. FOR INSTALLATION DIRECTLY INTO CONCRETE/MASONRY, USE 1/4 INCH DIAMETER ELCO ULTRACON OF SUFFICIENT LENGTH TO ACHIEVE 1 3/4 INCH MINIMUM EMBEDMENT.
6. FOR INSTALLATION DIRECTLY INTO WOOD FRAME, USE #14 WOOD SCREWS OF SUFFICIENT LENGTH TO ACHIEVE 1 1/2 INCH MINIMUM EMBEDMENT.
7. MINIMUM EMBEDMENT AND EDGE DISTANCE EXCLUDE WALL FINISHES, INCLUDING BUT NOT LIMITED TO STUCCO, FOAM, BRICK VENEER, AND SIDING.
8. INSTALLATION ANCHORS AND ASSOCIATED HARDWARE MUST BE MADE OF CORROSION RESISTANT MATERIAL OR HAVE A CORROSION RESISTANT COATING.
9. FOR HOLLOW BLOCK AND GROUT FILLED BLOCK, DO NOT INSTALL INSTALLATION ANCHORS INTO MORTAR JOINTS. EDGE DISTANCE IS MEASURED FROM FREE EDGE OF BLOCK OR EDGE OF MORTAR JOINT INTO FACE SHELL OF BLOCK.
10. INSTALLATION ANCHORS SHALL BE INSTALLED IN ACCORDANCE WITH ANCHOR MANUFACTURER'S INSTALLATION INSTRUCTIONS, AND ANCHORS SHALL NOT BE USED IN SUBSTRATES WITH STRENGTHS LESS THAN THE MINIMUM STRENGTH SPECIFIED BY THE ANCHOR MANUFACTURER.
11. INSTALLATION ANCHOR CAPACITIES FOR PRODUCTS HEREIN ARE BASED ON SUBSTRATE MATERIALS WITH THE FOLLOWING PROPERTIES:
 - A. WOOD - MINIMUM SPECIFIC GRAVITY OF 0.55.
 - B. CONCRETE - MINIMUM COMPRESSIVE STRENGTH OF 3000 PSI.
 - C. GROUT-FILLED CMU- UNIT STRENGTH CONFORMS TO ASTM C-90 WITH MINIMUM COMPRESSIVE STRENGTH OF 2000 PSI AND GROUT CONFORMS TO ASTM C 476, MINIMUM GROUT COMPRESSIVE STRENGTH OF 2000 PSI.
 - D. HOLLOW BLOCK CMU - UNIT STRENGTH CONFORMS TO ASTM C-90 WITH MINIMUM COMPRESSIVE STRENGTH OF 2000 PSI.

PREPARED BY:



BUILDING DROPS, INC.

398 E. DANIA BEACH BLVD., STE. 338
DANIA BEACH, FL 33004
PH: (954)399-8478
FAX: (954)744.4738
WEB: www.buildingdrops.com

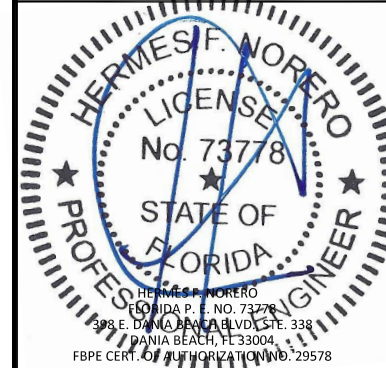
TITLE: CONTINENTAL CASEMENT WINDOW (HVHZ) (IMPACT) ANCHOR LOCATIONS AND INSTALLATION INSTRUCTIONS

P.O. BOX 2097
BARCELONETA, PR 00617
WWW.AIRMASTER.COM
PH: (787)846-2110
FAX: (787)623-0085

AIR MASTER
windows and doors

REMARKS	BY	DATE
A. 7TH FBC UPDATE	MS	11.05.20

THE INSTALLATION DETAILS DESCRIBED HERE IN ARE GENERIC AND MAY NOT REFLECT ACTUAL CONDITIONS FOR A SPECIFIC SITE. IF SITE CONDITIONS CAUSE INSTALLATION TO DEVIATE FROM THE REQUIREMENTS DETAILED HEREIN, A LICENSED ENGINEER OR ARCHITECT SHALL PREPARE SITE SPECIFIC DOCUMENTS FOR USE WITH THIS DOCUMENT.



FL21455

DATE: 07/27/18

DWG. BY: SM CHK. BY: HN

SCALE: NTS

DWG. #: AIR017

SHEET: OF 5

2

PREPARED BY:



BUILDING DROPS, INC.

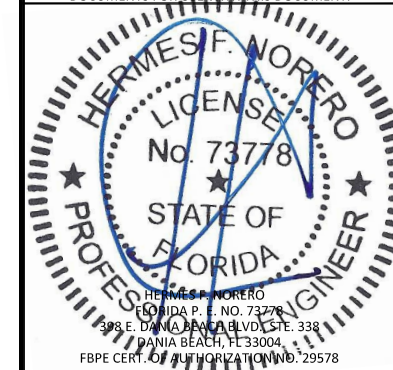
398 E. DANIA BEACH BLVD., STE. 338
DANIA BEACH, FL 33004
PH: (954)399-8478
FAX: (954)744.4738
WEB: www.buildingdrops.com

TITLE: CONTINENTAL CASEMENT WINDOW
(HVHZ) (IMPACT)
VERTICAL SECTIONS

P.O. BOX 2097
BARCELONETA, PR 00617
WWW.AIRMASTER.COM
AIR MASTER
windows and doors
PH: (787)846-2110
FAX: (787)623-0085

REMARKS	BY	DATE
A. 7TH FBC UPDATE	MS	11.05.20

THE INSTALLATION DETAILS DESCRIBED HERE IN ARE GENERIC AND MAY NOT REFLECT ACTUAL CONDITIONS FOR A SPECIFIC SITE. IF SITE CONDITIONS CAUSE INSTALLATION TO DEVIATE FROM THE REQUIREMENTS DETAILED HEREIN, A LICENSED ENGINEER OR ARCHITECT SHALL PREPARE SITE SPECIFIC DOCUMENTS FOR USE WITH THIS DOCUMENT.



FL21455

DATE: 07/27/18

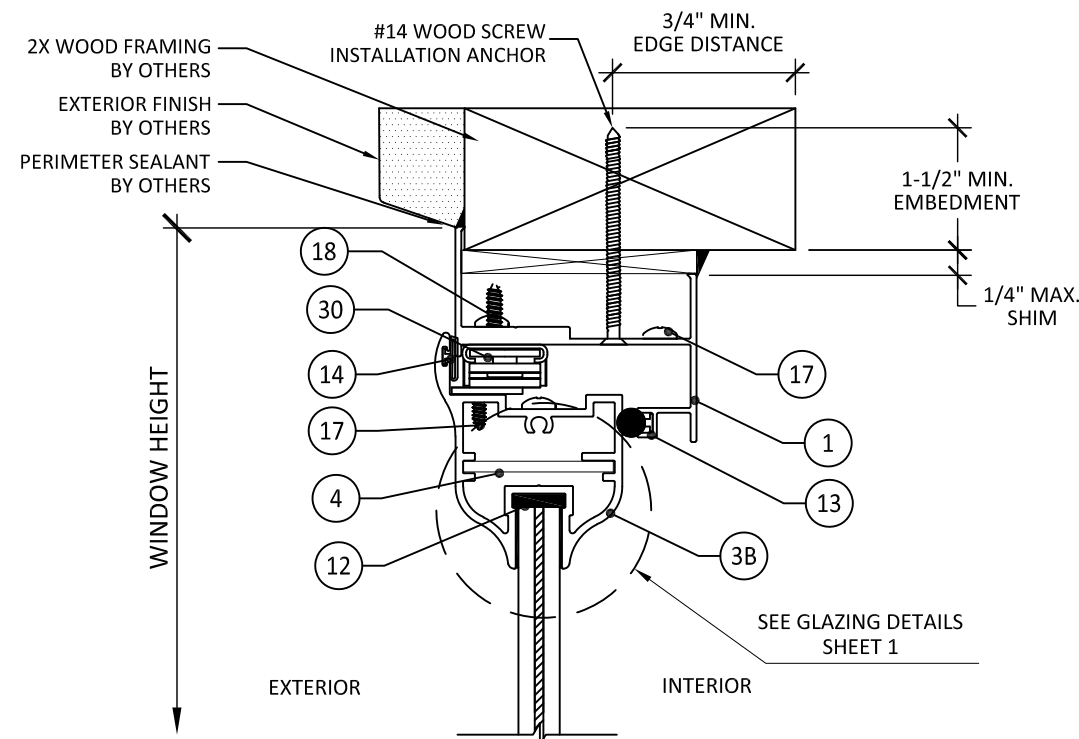
DWG. BY: SM CHK. BY: HN

SCALE: NTS

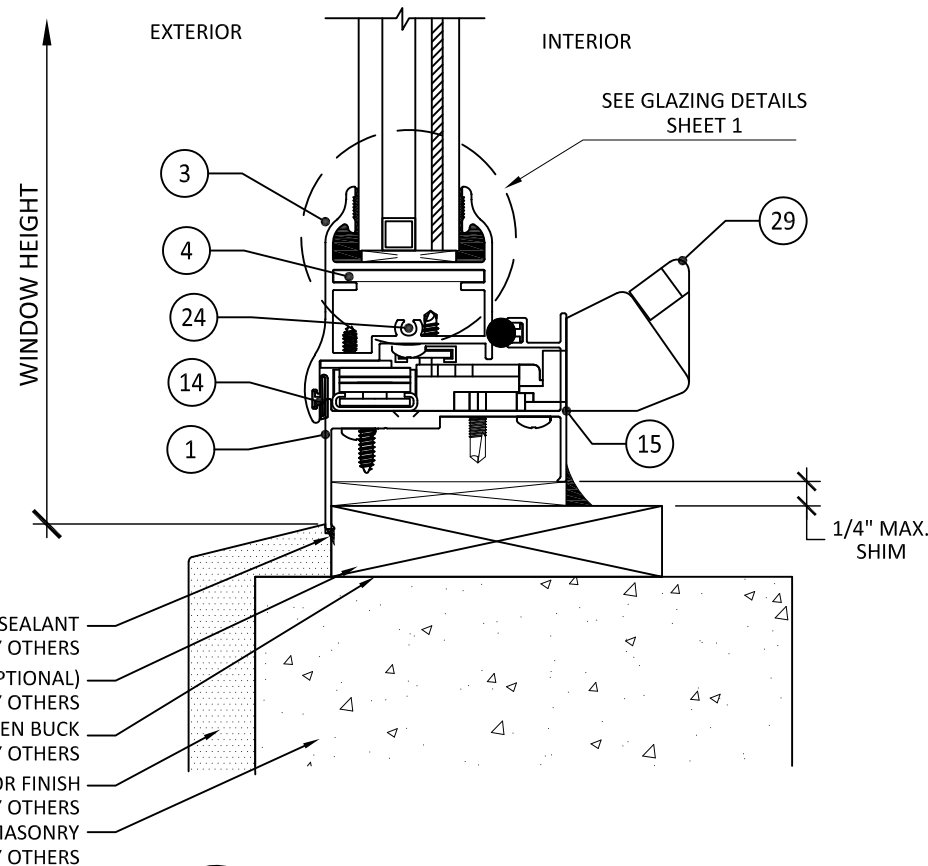
DWG. #: AIR017

SHEET: OF 5

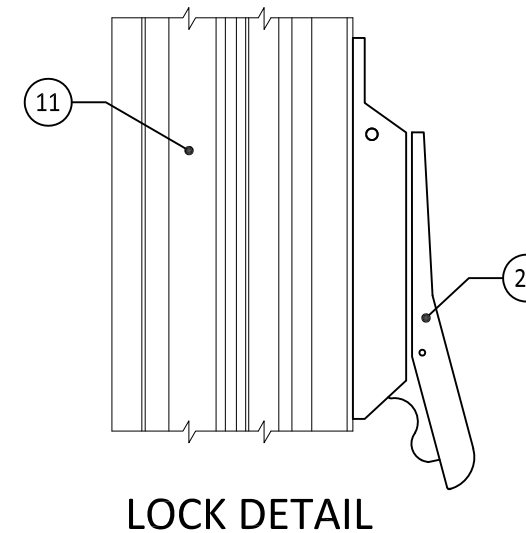
3



A
3 VERTICAL SECTION
HEAD - 2X WOOD FRAME



B
3 VERTICAL SECTION
SILL - CONCRETE/MASONRY
WITH 1X WOOD BUCK



LOCK DETAIL

PREPARED BY:



BUILDING DROPS, INC.

398 E. DANIA BEACH BLVD., STE. 338
 DANIA BEACH, FL 33004
 PH: (954)399-8478
 FAX: (954)744.4738
 WEB: www.buildingdrops.com

TITLE: CONTINENTAL CASEMENT WINDOW
 (HVHZ) (IMPACT)

HORIZONTAL SECTIONS

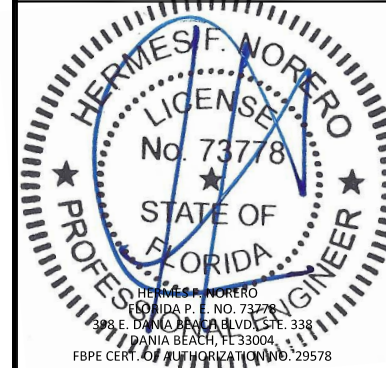
P.O. BOX 2097
 BARCELONETA, PR 00617
 WWW.AIRMASTER.COM
 PH: (787)846-2110
 FAX: (787)623-0085

AIR MASTER
 windows and doors



REMARKS	BY	DATE
A. 7TH FBC UPDATE	MS	11.05.20

THE INSTALLATION DETAILS DESCRIBED HERE IN ARE GENERIC AND MAY NOT REFLECT ACTUAL CONDITIONS FOR A SPECIFIC SITE. IF SITE CONDITIONS CAUSE INSTALLATION TO DEVIATE FROM THE REQUIREMENTS DETAILED HEREIN, A LICENSED ENGINEER OR ARCHITECT SHALL PREPARE SITE SPECIFIC DOCUMENTS FOR USE WITH THIS DOCUMENT.



FL21455

DATE: 07/27/18

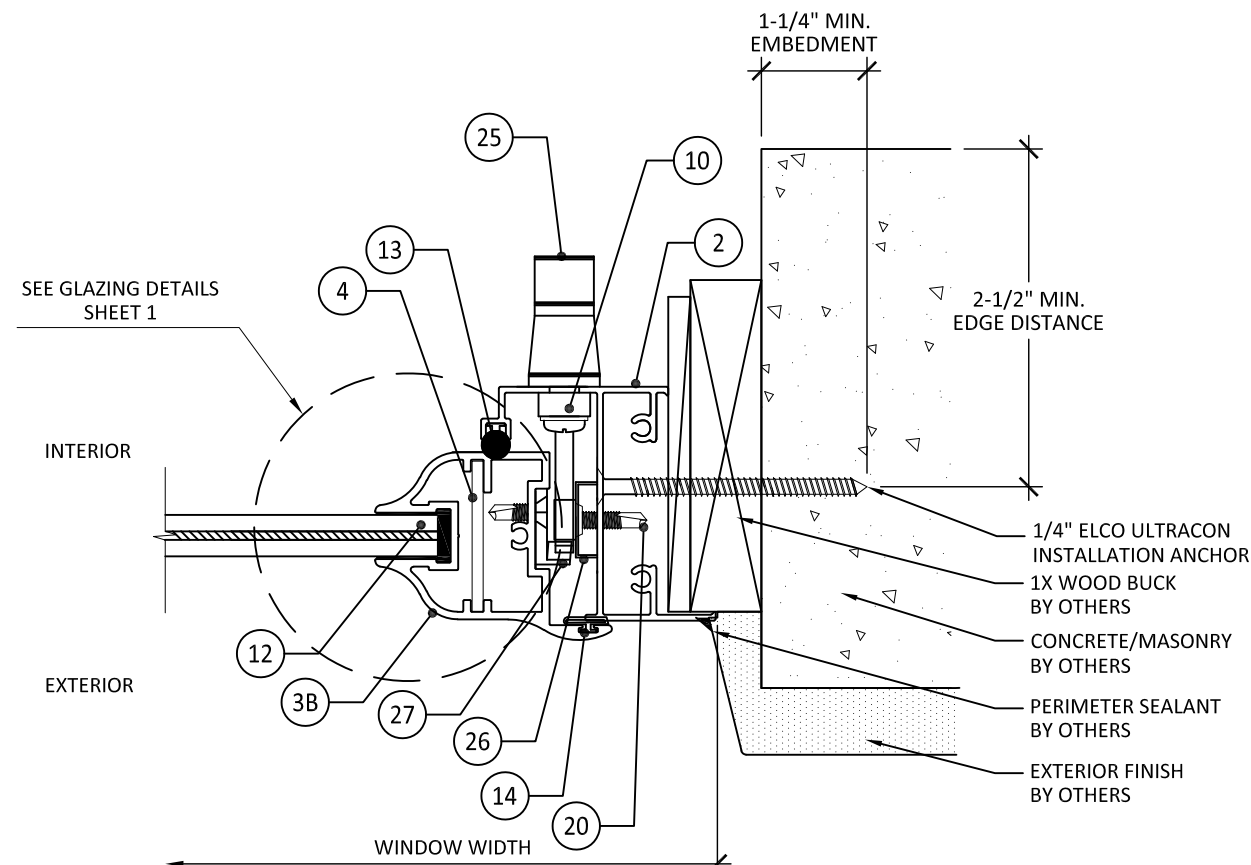
DWG. BY: SM CHK. BY: HN

SCALE: NTS

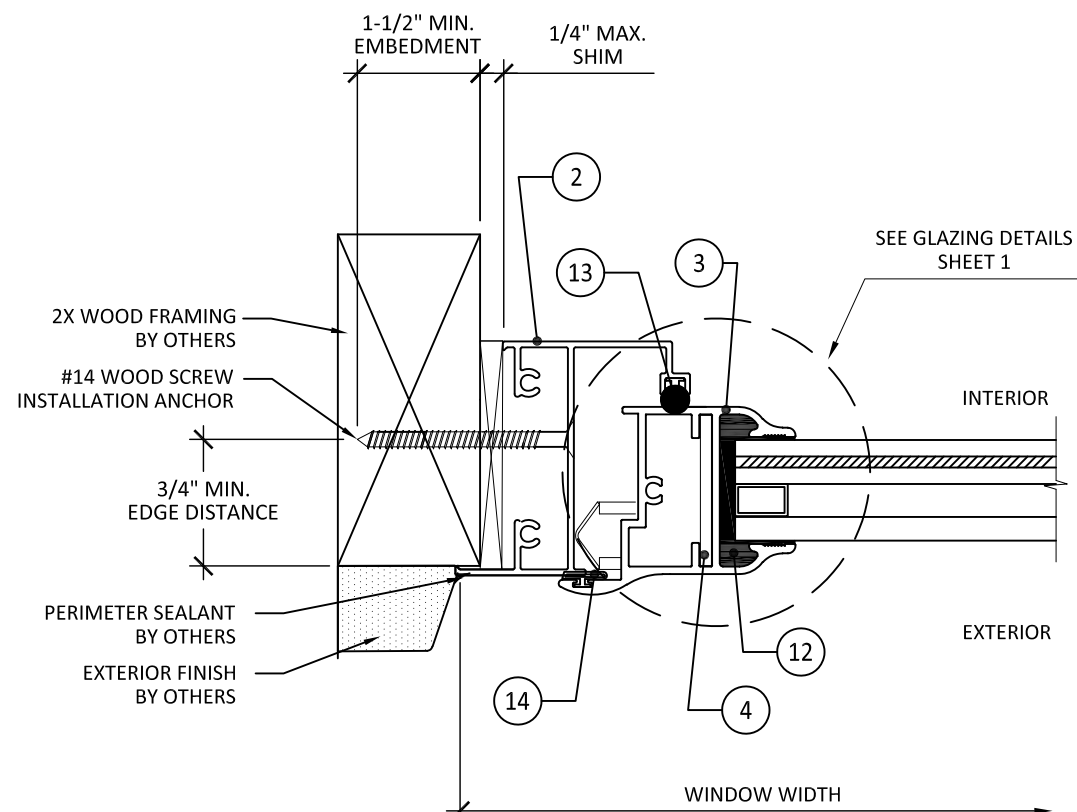
DWG. #: AIR017

SHEET: 4 OF 5

4



D
4 HORIZONTAL SECTION
 CONCRETE/MASONRY
 WITH 1X WOOD BUCK



C
4 HORIZONTAL SECTION
 JAMB - 2X WOOD FRAME

11/16/2020 10:44 AM

s:\projects\air master windows & doors\cc-20-1036 - fbc 2020 (ver. 7) code change\dwg\121455-2\air017.dwg

PREPARED BY:



BUILDING DROPS, INC.

398 E. DANIA BEACH BLVD., STE. 338
 DANIA BEACH, FL 33004
 PH: (954)399-8478
 FAX: (954)744.4738
 WEB: www.buildingdrops.com

TITLE: CONTINENTAL CASEMENT WINDOW
 (HVHZ) (IMPACT)

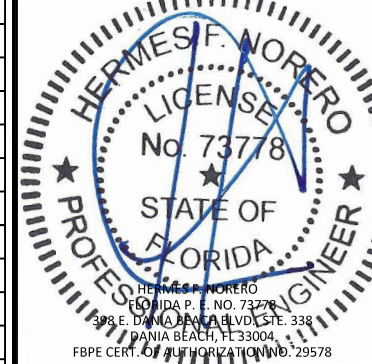
COMPONENTS AND BILL OF MATERIALS

P.O. BOX 2097
 BARCELONETA, PR 00617
 WWW.AIRMASTER.COM
 PH: (787)846-2110
 FAX: (787)623-0085



REMARKS	BY	DATE
A. 7TH FBC UPDATE	MS	11.05.20

THE INSTALLATION DETAILS DESCRIBED HERE IN ARE GENERIC AND MAY NOT REFLECT ACTUAL CONDITIONS FOR A SPECIFIC SITE. IF SITE CONDITIONS CAUSE INSTALLATION TO DEVIATE FROM THE REQUIREMENTS DETAILED HEREIN, A LICENSED ENGINEER OR ARCHITECT SHALL PREPARE SITE SPECIFIC DOCUMENTS FOR USE WITH THIS DOCUMENT.



FL21455

DATE: 07/27/18

DWG. BY: SM

CHK. BY: HN

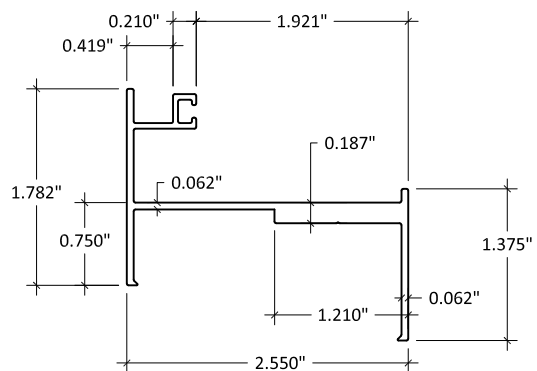
SCALE: NTS

DWG. #: AIR017

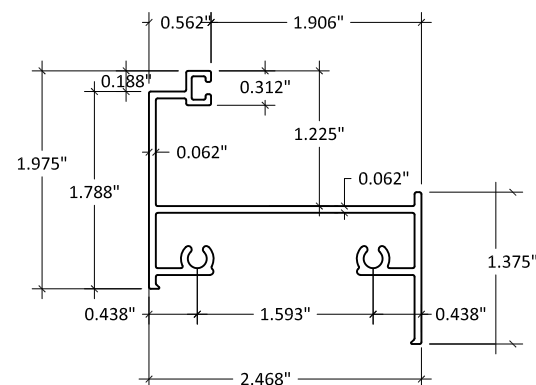
SHEET: OF 5

5

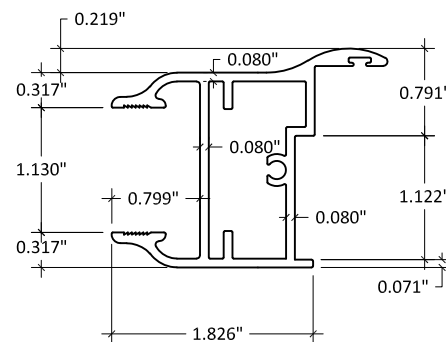
ITEM #	PART #	ITEM DESCRIPTION	MANUFACTURER/NOTES
PARTS & EXTRUSIONS			
1	76870	FRAME HEAD / SILL	FUNDICIONES INDUSTRIALES / 6063-T5
2	76869	FRAME JAMB	FUNDICIONES INDUSTRIALES / 6063-T5
3	76855	SASH PERIMETER IG	GLOBAL HOLDEX / 6063-T5
3B	76834	SASH PERIMETER 7/16"	GLOBAL HOLDEX / 6063-T5
4	11080	CORNER LOCK	GLOBAL HOLDEX / 6063-T5
5	53774	NOT USED	-----
6	76849	NOT USED	-----
6B	76832	NOT USED	-----
7	76830	NOT USED	-----
8	57555	NOT USED	-----
9	96534	NOT USED	-----
10	66660	ALUMINUM TUBE 1/2"	FUNDICIONES INDUSTRIALES / 6063-T5
GLASS			
11		INSULATED GLASS 1 1/16" (1/4" ANN - 3/8" SUPER SPACER - 3/16 ANN - .090 SAFLEX - 3/16 ANN)	TECHNOGLASS
11B		IMPACT GLASS 7/16 CLEAR ANNEALED (3/16 ANN - .090 SAFLEX - 3/16 ANN)	TECHNOGLASS
SEALS & SEALANTS			
12	-	SILICONE STRUCTURAL 895	PECORA
13	32010	RUBBER WEATHERSTRIP WITH FOAM	MSW LLC
14	96980	PERIMETER FRAME VINYL	MSW LLC
15	96303	GASKET OPERATOR	WESPAC CORPORATION
16	96900	RUBBER BUMPER BLACK	H-O PRODUCTS CORPORATION DUROMETER 70 - 3PCS/SIDE/VENT
FASTENERS			
17	95543	SCR 10*1 PHI P/H S/S T-A SMS	LA CASA DE LOS TORNILLOS
18	95607	SCR 10*1/2 PHI P/H S/S T-A	LA CASA DE LOS TORNILLOS
19	95691	SCR 10-24*5/8 PHI F/H S/S S/D	LA CASA DE LOS TORNILLOS
20	94657	SCR 10-32 3/4 PHI F/H S/S TECK	LA CASA DE LOS TORNILLOS
21	95536	SCR 10 x 3" PHI/FH/SS/T-A SMS	LA CASA DE LOS TORNILLOS
22	95786	FLAT WASHERS	LA CASA DE LOS TORNILLOS
23	95528	SCR 10*1 1/2 PHI F/H S/S T-A	LA CASA DE LOS TORNILLOS
24	22424	SCR 8*1/2 P/H S/S TECK	LA CASA DE LOS TORNILLOS
HARDWARE			
25	86829	CASEMENT LOCK HANDLE WHITE	INDUTEC
26	76805	MULTIPOINT LOCKING BAR	SUNAN COMPANY LTD
27	86827	KEEPERS FOR LOCKING BAR	INDUTEC
28	96315	NOT USED	-----
29	96301	ENCORE SINGLE ARM OPERATOR	WESPAC CORPORATION
30	43553	FOUR BAR HINGE EGRESS	WESPAC CORPORATION
31	43556	NOT USED	-----



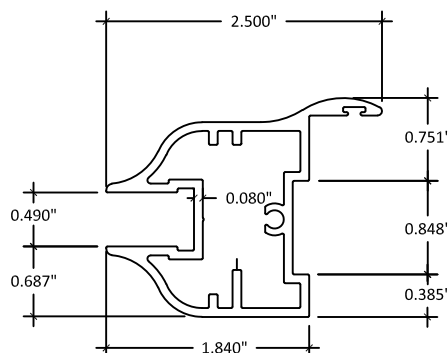
1 FRAME HEAD



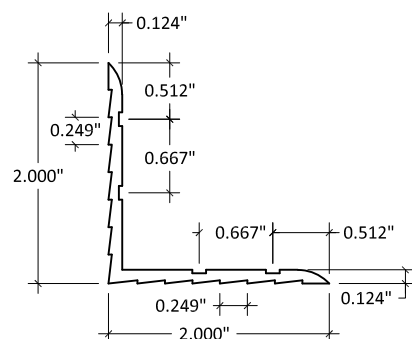
2 FRAME JAMB



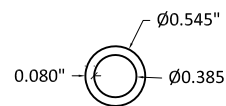
3 SASH PERIMETER
1 1/16" GLASS



3B SASH PERIMETER
7/16" GLASS



4 CORNER LOCK



10 1/2" Ø TUBE

s:\projects\air master windows & doors\cc-20-1036 - fbc 2020 (ver. 7) code change.dwg\121455-r2\air017.dwg 11/16/2020 10:44 AM